

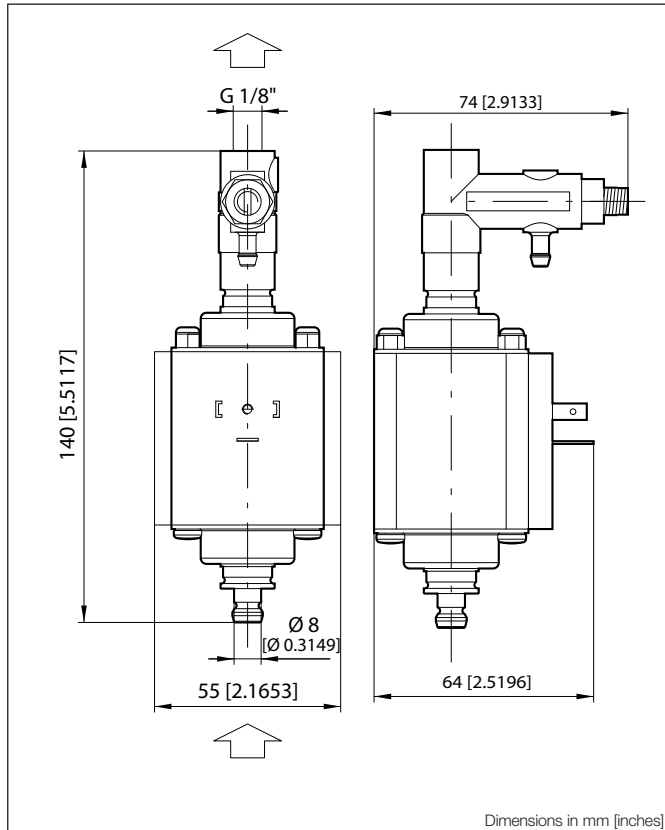
Solenoid pumps 1228 series in plastic for viscous fluids

The plastic version of the Fluid-o-Tech® Mono solenoid pump is equipped with custom components, specifically designed to grant supreme performance and a high degree of compatibility with most of the fluids with a viscosity up to 400 cSt.

The innovative sealing system, the new piston highly resistant to corrosion and mechanical wear and the improved precision of the flow regulator make of this pump a remarkable product. The coil is made of self-extinguishing material with a class H insulation winding.

All the models are equipped with a noise suppression device which allows the pump to be installed in all those applications where low noise is a premium.

Shock absorbing supports are available for the quietest operation.



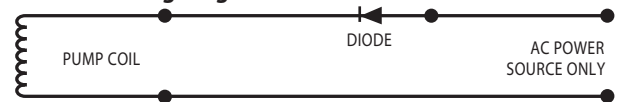
ELECTRICAL CHARACTERISTICS

	"IF" Coil	"IL" Coil
Voltage	120 V	230 V
Frequency	60 Hz	50 Hz
Power	70 W	70 W
Current	0.98 A	0.65 A
Approval	(UL) File E164244	(UL) File E164244

HYDRAULIC CHARACTERISTICS

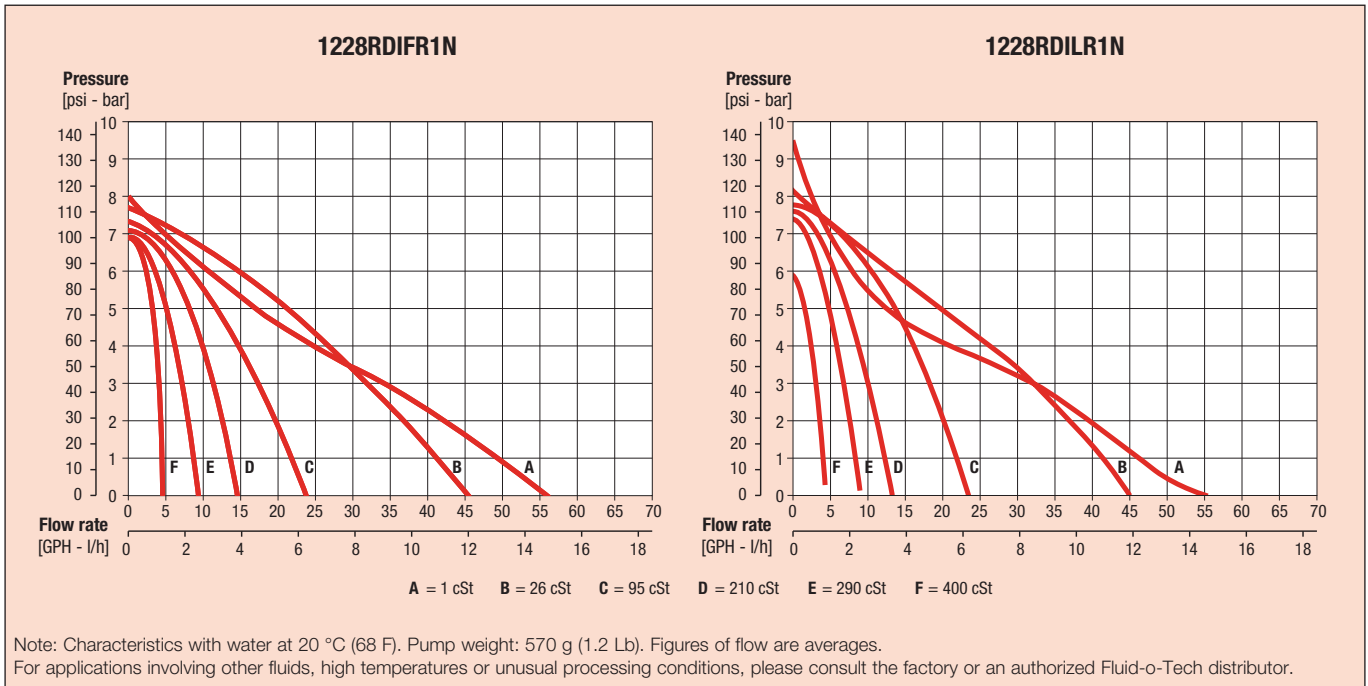
- Self-priming
- Max viscosity: 400 Cst
- pH range: 6-8
- Max liquid temperature: 40 °C (104 F)
- No dry running allowed

Wiring diagram



Diode wiring diagram to follow when the pump is supplied without plug

Performance curves of solenoid pumps with different viscosity fluids



Fluid-o-Tech reserves the right to alter the specifications indicated in this catalogue at any time and without prior notice.

Fluid-o-Tech srl
Via Leonardo da Vinci, 40
20094 Corsico, Milano, Italy
Tel. +39 02 9995 01
Fax +39 02 9995 0999
info@fluidotech.it

Fluid-o-Tech Int'l Inc.
161 Atwater St.,
06479 Plantsville CT (USA)
Tel. +1 (860) 276 9270
Fax +1 (860) 620 0193
info@fluid-o-tech.com

Fluid-o-Tech Int'l Inc. Japan
201, 4-3-10, Todoroki,
Setagaya, Tokyo 158-082, Japan
Tel. +81 (0) (3) 6432 1812
Fax +81 (0) (3) 6432 1813
erkkato@fluidotech.jp

Fluid-o-Tech Asia (Shanghai) Co., Ltd.
2/F, Factory building 6 (1), No. 258, Zhijiang Road,
Fengxian District, Shanghai City, Z.P.: 201499 China
Tel. +86 (021) 67100 838
Fax +86 (021) 67100 605
info@fluidotech-asia.com