

# Magnet drive gear pump-motor units MGCF04S/MGCF11S series

The compact precision performance pumps MG or PG series are designed to fit high technology applications. The magnet drive principle provides a totally sealed pump chamber which is capable of handling a wide range of corrosive fluids with a high degree of safety. The pump housing is available in AISI 316L, SAF 2205, AISI 303 or PPS. In operation the MG and PG series pumps are noiseless, pulsation-free and capable of handling relatively high temperature liquids up to 120 °C (248 F). The coupling with the MGCF04S, MGCF11S units designed for heavy duty, provides a reliable and noiseless operation in a compact size package. The pole-to-pole alignment of the two magnets provides the driving motion to the pump. Decoupling will occur when the pump load exceeds the coupling torque between the magnets.

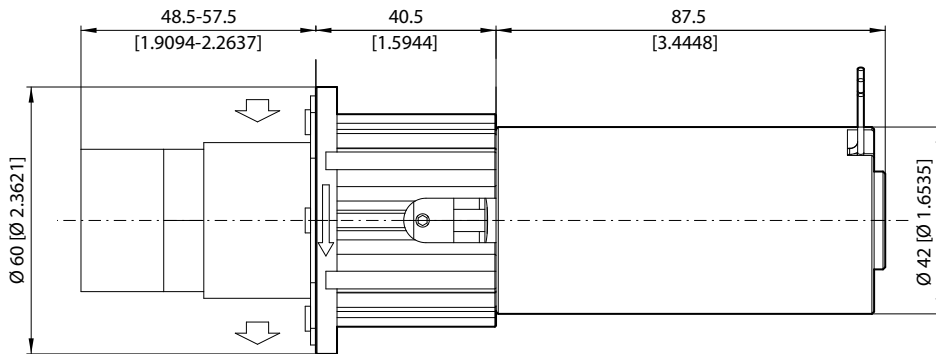


## MAIN APPLICATIONS

- Medical and surgical equipment
- Hemodialysis apparatus
- Laser apparatus
- Lubrication
- Ink-jet printing systems
- Cooling systems
- Laboratory instrumentation
- Water purification and ultra-filtration
- Sampling
- Food processing equipment
- Sanitization



### MGCF04S-MGCF11S

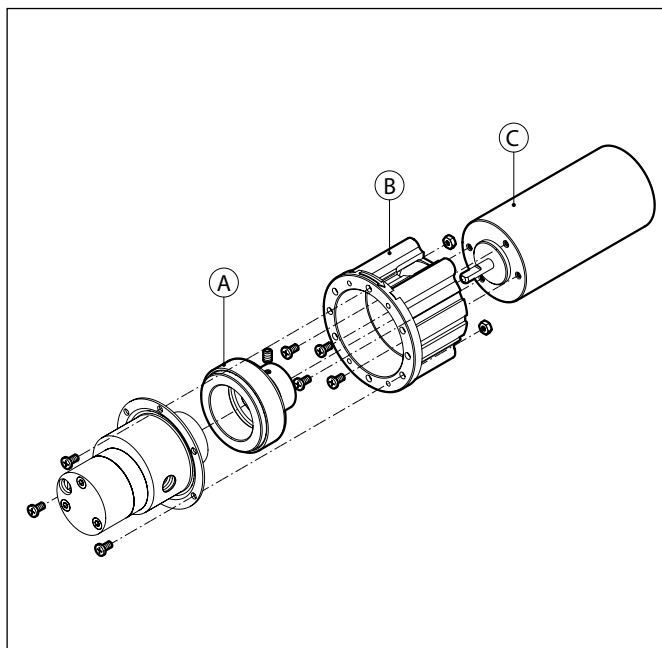


Dimensions in mm [inches]

# Magnet drive gear pump-motor units MGCF04S/MGCF11S series

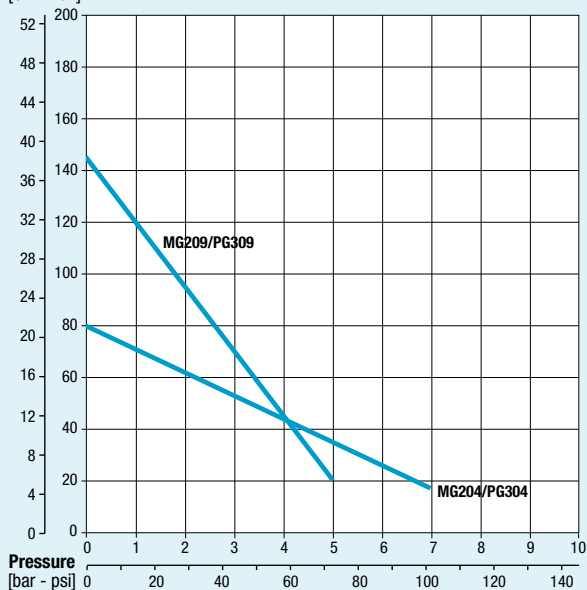
POS	DESCRIPTION	FEATURES	CODE
<b>A</b>	Driving magnet	For 5 mm bore	MGAF05S
<b>A+B</b>	Complete adapter	For KAG M42x30	MGBF42S
<b>A+B+C</b>	Complete motor assembly	See table below	MGCF04S MGCF11S

DRIVING UNIT	MGCF04S	MGCF11S
Voltage (V)	12 DC	24 DC
Rated speed (rpm)	3300	3000
Current consumption (A)	3.4	1.5
Output power (W)	25.9	23.6
Weight (g)	700	700



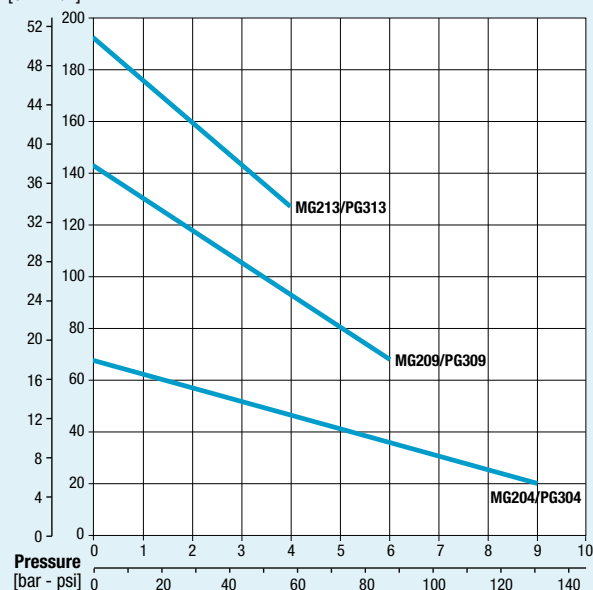
## MGCF04S

Flow rate  
[GPH - l/h]



## MGCF11S

Flow rate  
[GPH - l/h]



Note: Characteristics with water at 20 °C (68 F) and without relief valve. Fluids different from water must be validated by the Customer. Temperature requirements different from ambient temperature must be mentioned on the order. Different materials are available upon request. Use a filter before the pump inlet no larger than 10 micron

Fluid-o-Tech reserves the right to alter the specifications indicated in this catalogue at any time and without prior notice.

**Fluid-o-Tech srl**  
Via Leonardo da Vinci, 40  
20094 Corsico, Milano, Italy  
Tel. +39 02 9995 01  
Fax +39 02 9995 0999  
info@fluidotech.it

**Fluid-o-Tech Int'l Inc.**  
161 Atwater St.,  
06479 Plantsville CT (USA)  
Tel. +1 (860) 276 9270  
Fax +1 (860) 620 0193  
info@fluid-o-tech.com

**Fluid-o-Tech Int'l Inc. Japan**  
2nd Floor, 4-3-8, Espoir Todoroki,  
Todoroki, Setagaya, Tokyo 158-0082  
Tel. +81 (0) (3) 6432 1812  
Fax +81 (0) (3) 6432 1813  
erkkato@fluidotech.jp

**Fluid-o-Tech Asia (Shanghai) Co., Ltd.**  
2/F, Factory building 6 (1), No. 258, Zhijiang Road,  
Fengxian District, Shanghai City, Z.P.: 201499 China  
Tel. +86 (021) 67100 838  
Fax +86 (021) 67100 605  
info@fluidotech-asia.com