

# Magnet drive rotary vane pumps TM 300-400 series

The TM 300-400 series pumps have been designed to deliver a smooth flow reliably for a long time.

The precise alignment of pump and motor, combined with the absence of contact between them granted by the magnetic drive, optimizes the operation of the unit reducing friction and therefore wear, noise and power consumption.

The absence of dynamic seals in favour of static o-rings improves the reliability of the pump and at the same time of the motor driving it.

The pump, with stainless steel housing and rotor, carbon graphite pumping chamber and NBR seals, is NSF certified for use in contact with potable water.

**Available upon request:**

- Viton®/EPDM seals



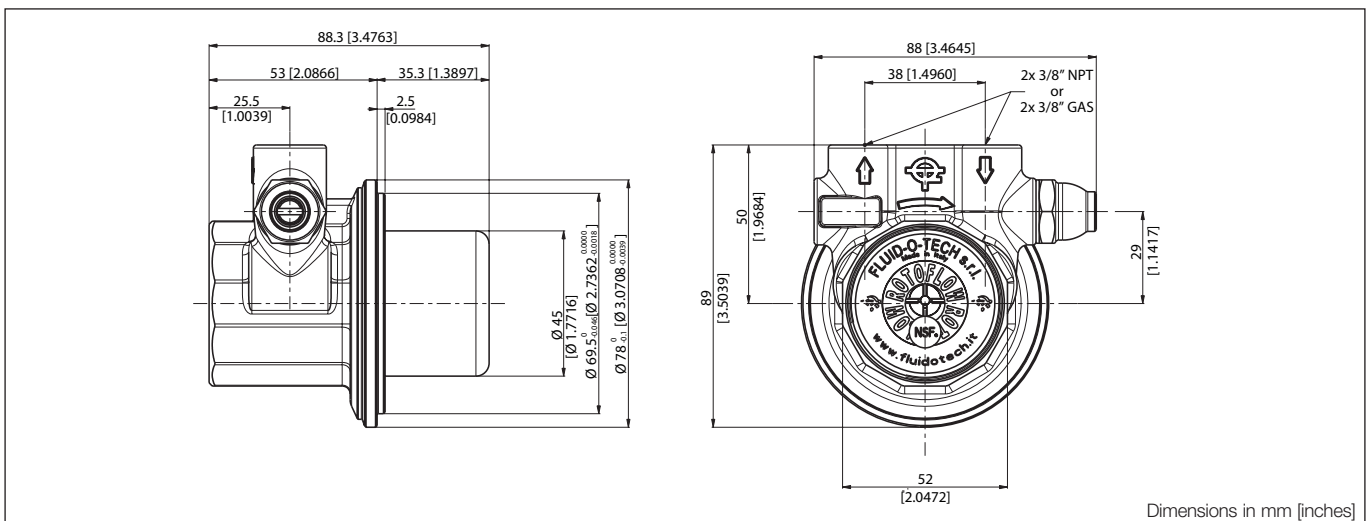
## MAIN APPLICATIONS

- Cooling systems
- Booster systems
- Water treatment
- Solar systems

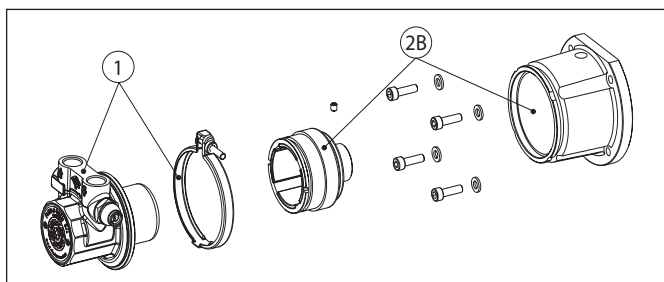
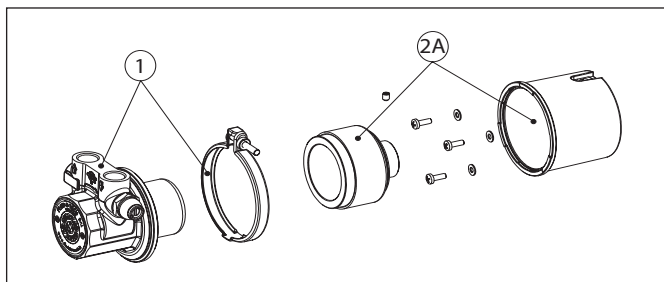


## TECHNICAL INFORMATION

Pump housing material	Stainless steel	Speed limit	1725 rpm
Pumping chamber	Carbon graphite	Max static pressure	20 bar/290 psi
Ports	3/8" GAS or NPT	Pump weight	1.0 kg (2.2 lb)



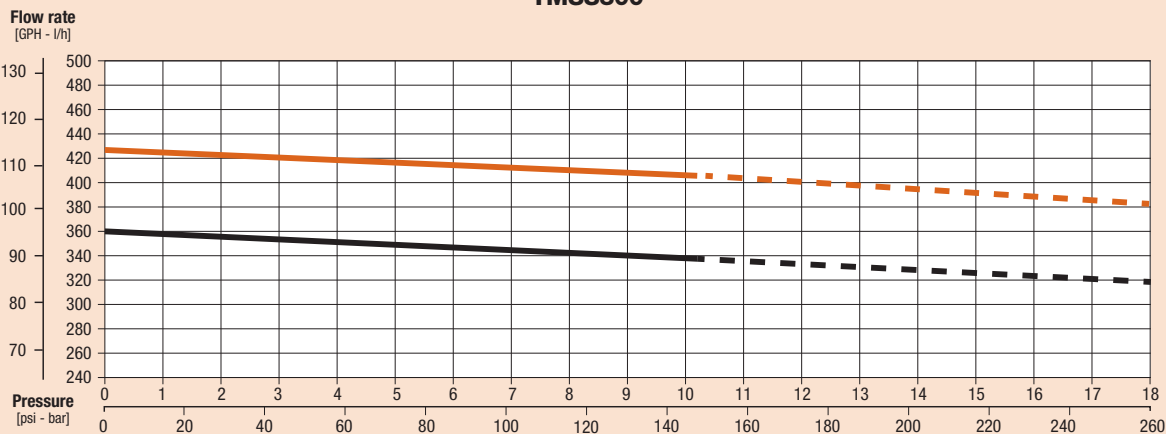
Dimensions in mm [inches]



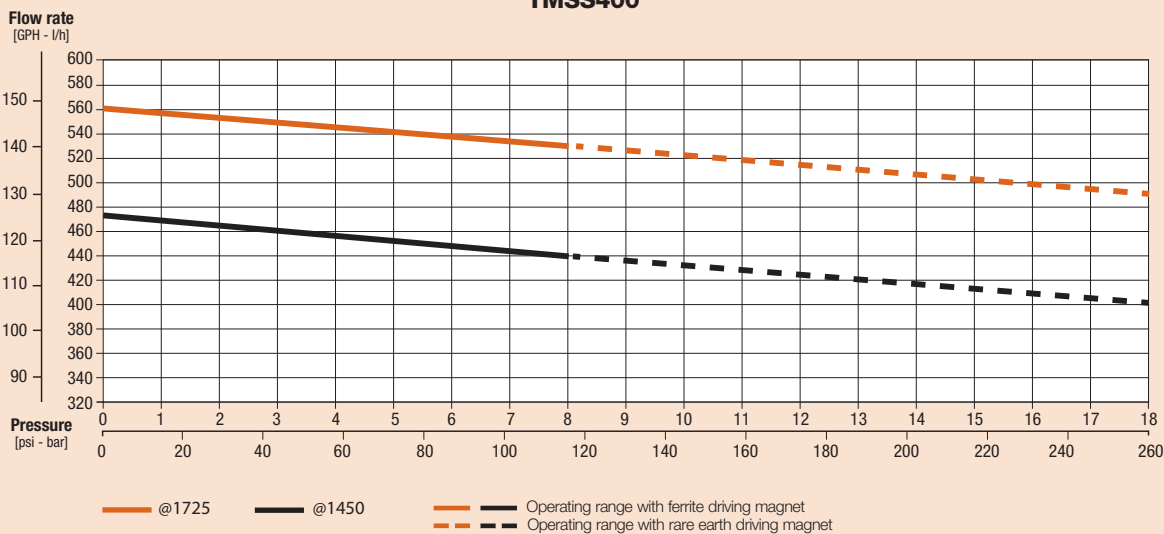
POS	DESCRIPTION	CODE
<b>1</b>	TS 300-400 series pump	
	Mounting assembly (M56-B14)	TMBF56S
	Mounting assembly (M63-B14)	TMBF63S
	Mounting assembly (M71-B14)	TMBF71S
<b>2A</b>	Mounting assembly (M56-B14)	TMBF56S
	Mounting assembly (M63-B14)	TMBF63S
	Mounting assembly (M71-B14)	TMBF71S
	Mounting assembly (NEMA 56C)	TMBF5BS
<b>2B</b>	High torque mounting assembly (M56-B14)	TSBS56C
	High torque mounting assembly (M63-B14)	TSBS63C
	High torque mounting assembly (M71-B14)	TSBS71C

MODEL	RELIEF VALVE	FIGURE
TMSS300	NO	1
TMSS400		2
TMSS301	STANDARD	1
TMSS401		2
TMSS304	BALANCED	1
TMSS404		2

## TMSS300



## TMSS400



For applications involving other fluids, high temperatures or unusual processing conditions, please consult the factory or an authorized Fluid-o-Tech distributor.

Fluid-o-Tech reserves the right to alter the specifications indicated in this catalogue at any time and without prior notice.

**Fluid-o-Tech srl**  
 Via Leonardo da Vinci, 40  
 20094 Corsico, Milano, Italy  
 Tel. +39 02 9995 01  
 Fax +39 02 9995 0999  
 info@fluidotech.it

**Fluid-o-Tech Int'l Inc.**  
 161 Atwater St.,  
 06479 Plantsville CT (USA)  
 Tel. +1 (860) 276 9270  
 Fax +1 (860) 620 0193  
 info@fluid-o-tech.com

**Fluid-o-Tech Int'l Inc. Japan**  
 201, 4-3-10, Todoroki,  
 Setagaya, Tokyo 158-082, Japan  
 Tel. +81 (0) (3) 6432 1812  
 Fax +81 (0) (3) 6432 1813  
 erkkato@fluidotech.jp

**Fluid-o-Tech Asia (Shanghai) Co., Ltd.**  
 2/F, Factory building 6 (1), No. 258, Zhijiang Road,  
 Fengxian District, Shanghai City, Z.P.: 201499 China  
 Tel. +86 (021) 67100 838  
 Fax +86 (021) 67100 605  
 info@fluidotech-asia.com