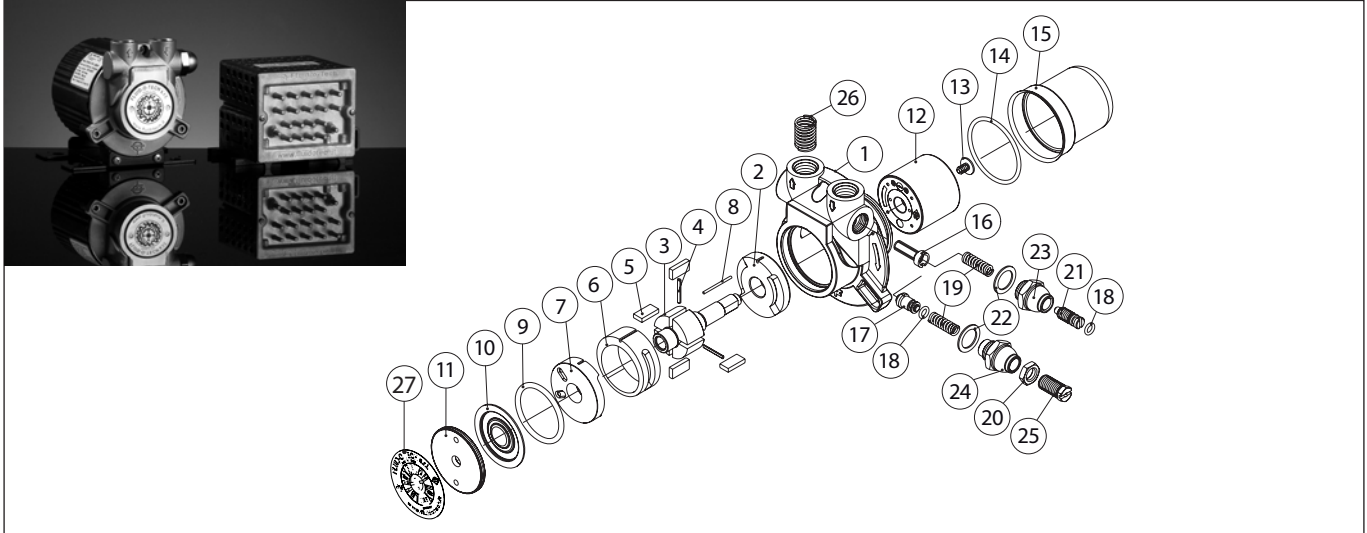
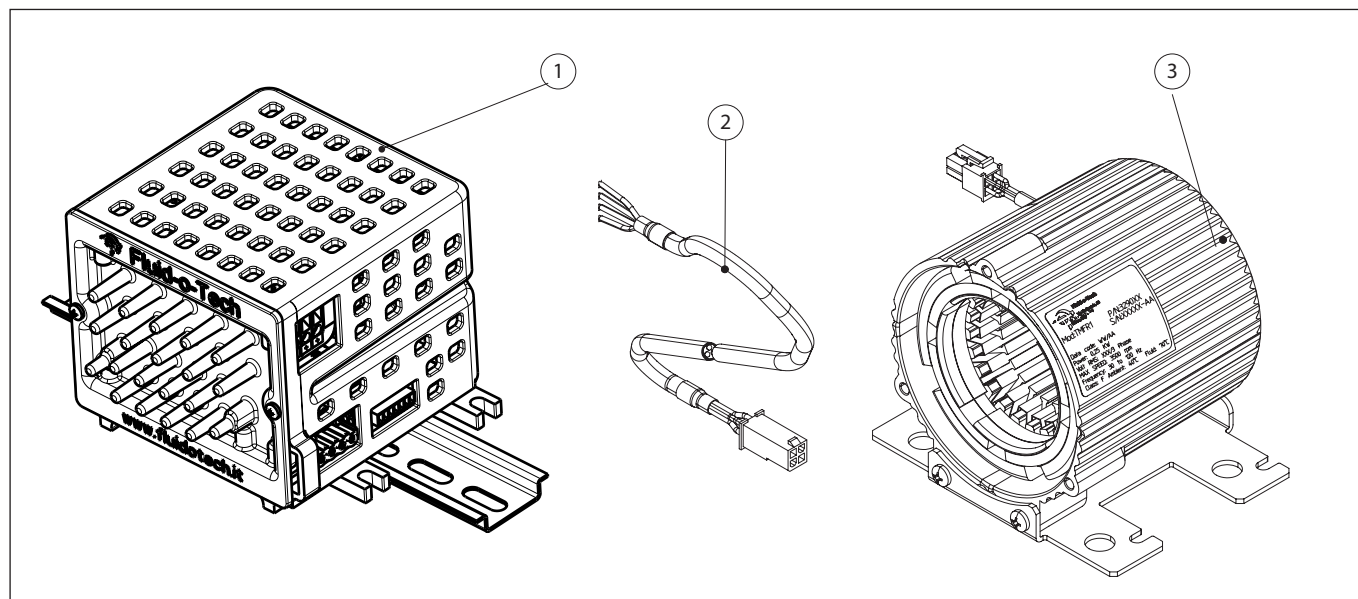


Magnet drive rotary vane pump-motor units TSFR



POS	DESCRIPTION	MATERIAL	CODE	NOTES
1	HOUSING	S.S.	31-01-01	NPT PORTS
			31-01-02	GAS PORTS
2	REAR FLANGE	GRAPHITE	22-03-08	
3	ROTOR	S.S.	31-02-01	
4	VANE PIN	S.S.	22-07-02	100 l/h
			22-07-03	150 l/h
			22-07-04	200 l/h
			22-07-06	300 l/h
			22-07-08	400 l/h
		PTFE	22-07-14	100 l/h
			22-07-15	150 l/h
			22-07-16	200 l/h
			22-07-17	300 l/h
			22-07-18	400 l/h
5	VANE	GRAPHITE	22-04-03	
6	LINER	GRAPHITE	22-05-17	70 l/h
			22-05-18	100 l/h
			22-05-19	150 l/h
			22-05-21	200 l/h
			22-05-23	250 l/h
			31-05-02	300 l/h
31-05-01	400 l/h			
7	FRONT FLANGE	GRAPHITE	22-03-06	
8	ALIGNMENT PIN	S.S.	22-07-01	
9	O-RING	NBR	90-23-13	NSF
		VITON®	90-23-21	
		EPDM	90-23-14	
10	SHAPED DISC	S.S.	22701	
11	THREADED CUP	ALUMINIUM	22-08-02	
12	DRIVEN MAGNET	PLASTIC/RARE EARTHS	91-19-18	

POS	DESCRIPTION	MATERIAL	CODE	NOTES
13	SCREW	S.S.	201406	
14	MAGNET CUP O-RING	VITON®	90-23-48	
15	MAGNET CAP	EPDM	90-23-67	NSF
16	OPEN BYPASS VALVE	S.S.	321300	
		BRASS	22307	
		PLASTIC	22-16-13	
	SOLID BYPASS VALVE	BRASS	22-16-02	
		PLASTIC	22-16-15	
17	BYPASS PLUNGER	PLASTIC	22-18-11	
18	BYPASS SCREW/PLUNGER O-RING	NBR	90-23-16	NSF
		VITON®	90-23-20	
		EPDM	90-23-24	
19	SPRING	S.S.	22505	
20	BALANCED BYPASS COUNTERNUT	PLASTIC	22-20-09	
21	BYPASS SCREW	S.S.	22520	
22	WASHER	NYLON®	22-12-01	
23	BYPASS NUT	S.S.	22-20-04	
24	BALANCED BYPASS NUT	S.S.	22-20-14	
25	BALANCED BYPASS SCREW	BRASS	22-17-02	
26	SPRING	S.S.	22023	
			99-01-01	
27	LABEL		99-01-02	NSF



POS	DESCRIPTION	MATERIAL	CODE	NOTES
1	CONTROLLER 230 V AC - CE		FEE2EWR1	
	CONTROLLER 115 V AC - UL		FEE2AWR1	
	CONTROLLER 230 V AC - UL		FEE2DWR1	
2	CONNECTING CABLE		329000/2	
			32-36-07	
3	180 V 3 PHASE MOTOR - CS+UL		32-35-01	

Fluid-o-Tech reserves the right to alter the specifications indicated in this catalogue at any time and without prior notice.

Fluid-o-Tech srl
Via Leonardo da Vinci, 40
20094 Corsico, Milano, Italy
Tel. +39 02 9995 01
Fax +39 02 9995 0999
info@fluidotech.it

Fluid-o-Tech Int'l Inc.
161 Atwater St.,
06479 Plantsville CT (USA)
Tel. +1 (860) 276 9270
Fax +1 (860) 620 0193
info@fluid-o-tech.com

Fluid-o-Tech Int'l Inc. Japan
201, 4-3-10, Todoroki,
Setagaya, Tokyo 158-082, Japan
Tel. +81 (0) (3) 6432 1812
Fax +81 (0) (3) 6432 1813
erkkato@fluidotech.jp

Fluid-o-Tech Asia (Shanghai) Co., Ltd.
2/F, Factory building 6 (1), No. 258, Zhijiang Road,
Fengxian District, Shanghai City, Z.P.: 201499 China
Tel. +86 (021) 67100 838
Fax +86 (021) 67100 605
info@fluidotech-asia.com